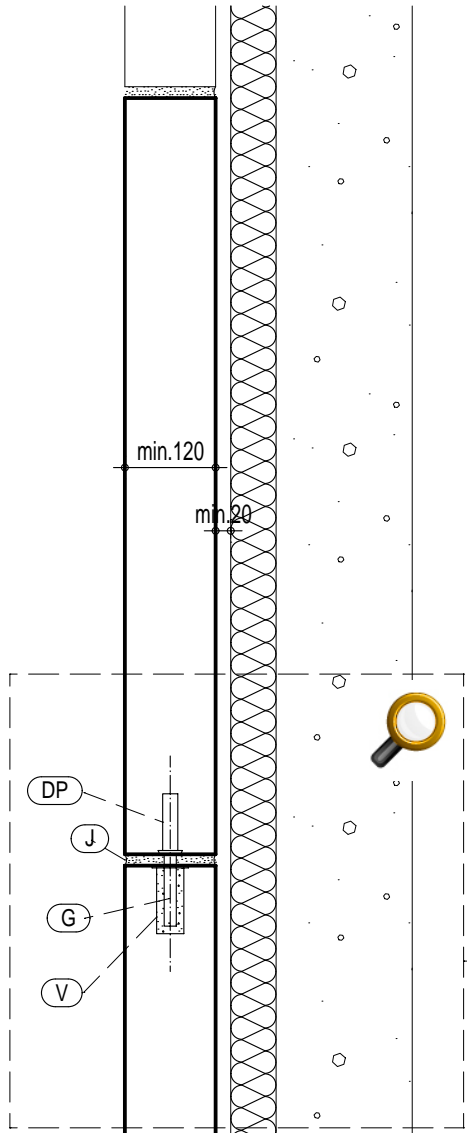
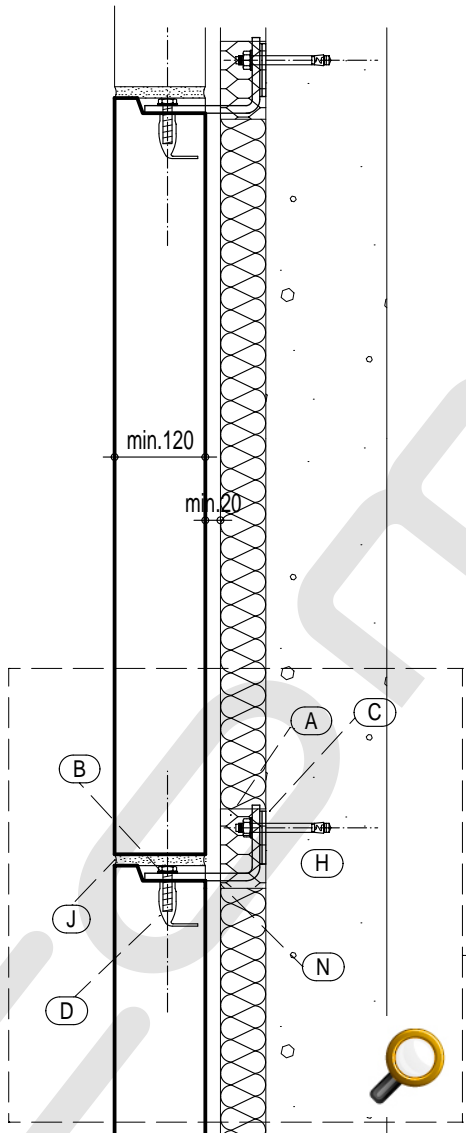


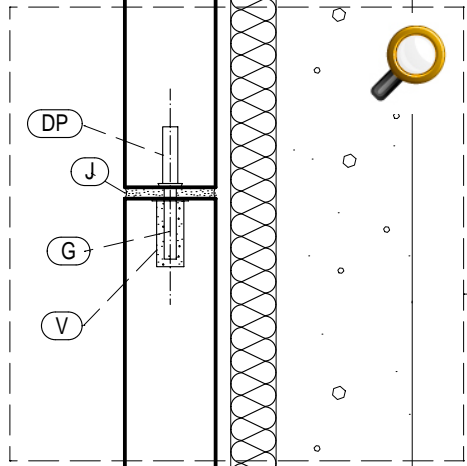
# Self supporting single skin panel



Section B-B

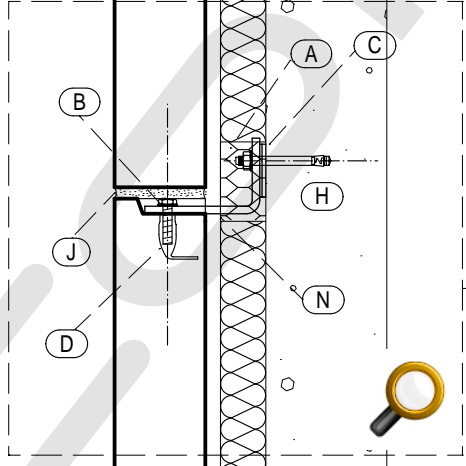


Section A-A



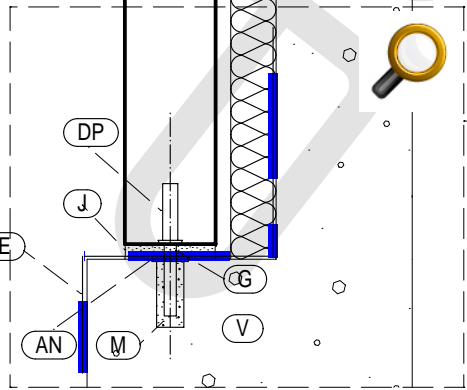
Detail 3

Dorn, dowel fixing



Detail 2

Restraint Fixing



Detail 1

Bearing Joint

